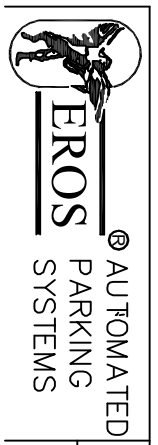
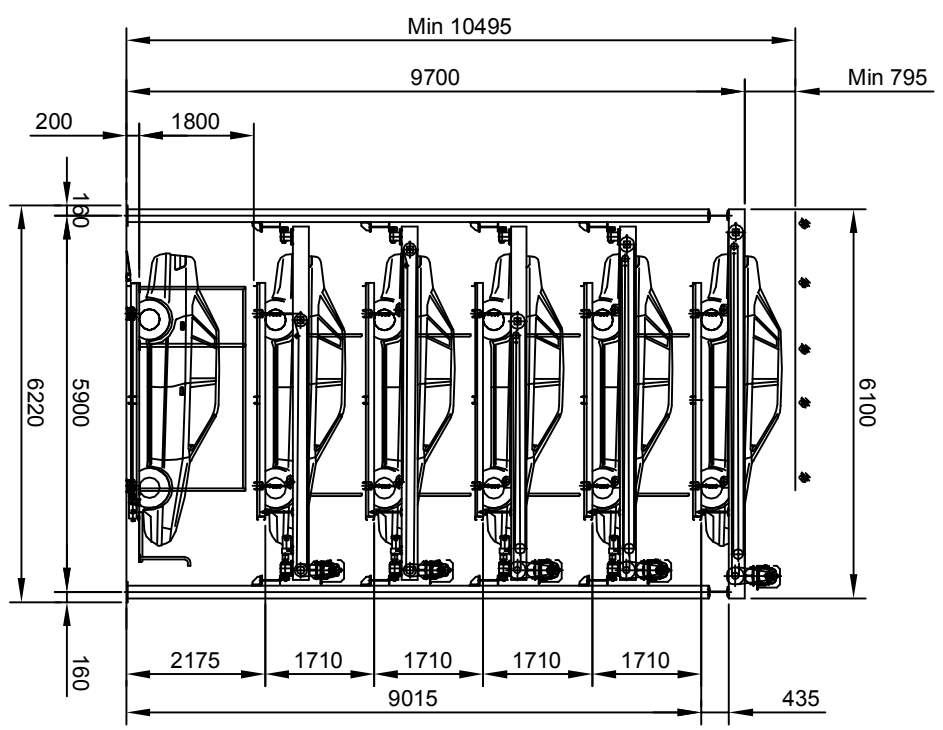


1	SYSTEM WIDTH	PITCH X C + CONSTANT
	FORMULA	$N = R \times C - 5$
	PITCH	COLUMN CENTRE TO CENTRE DISTANCE
	C	NUMBER OF COLUMNS
	CONSTANT	CONSTANT = 300mm.
e.g	PITCH X C + CONSTANT	$7200 \times 3 + 320 = 21920\text{mm.}$

2	MODULE SPECIFICATION (EPP-6P-49)	
	FORMULA	EPP - 6P - N
		SIMATEC PUZZLE PARKING
		6 ROWS PUZZLE
		NUMBER OF SPOTS

3	NUMBER OF SPOTS CALCULATION	
	FORMULA	$N = R \times C - 5$
	R	ROW
	C	COLUMN
	5	CONSTANT
e.g	$N = (R \times C) - 5$	$N = (6 \times 3) - 5 = 49$

SPECIFICATION		
TYPE	PUZZLE PARKING	
CAR	49	
CAR SIZE	LENGTH	5050 MM
	WIDTH	1850 MM
	HEIGHT	1550 MM
WEIGHT	4P~6P LIFTING MOTOR	1800 KG
	4P~6P LIFTING SPEED	2.2Kw x 4P x 1/90
	2F, 3F LIFTING MOTOR	APPX. 4.92 M/MIN
	2F, 3F LIFTING SPEED	1.5Kw x 4P x 1/90
	2F~5F TRAVELLING MOTOR	APPX. 4.07 M/MIN
	2F~5F TRAVELLING SPEED	0.4Kw x 4P x 1/60
1F TRAVELLING MOTOR	APPX. 10.78 M/MIN	
1F TRAVELLING SPEED	0.2Kw x 4P x 1/60	
1F TRAVELLING SPEED	APPX. 9.51 M/MIN	
MODULE	EPP - 6P - 49	



EROS PUZZLE TYPE PARKING
TYPE PUZZLE 6RX9C