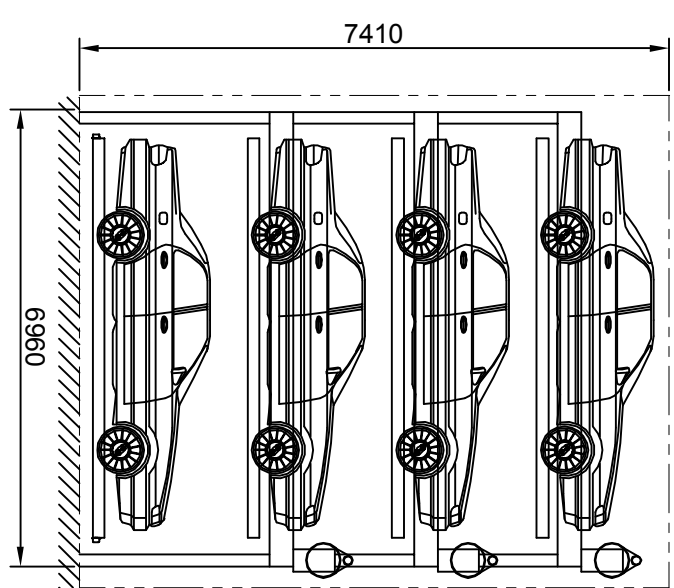
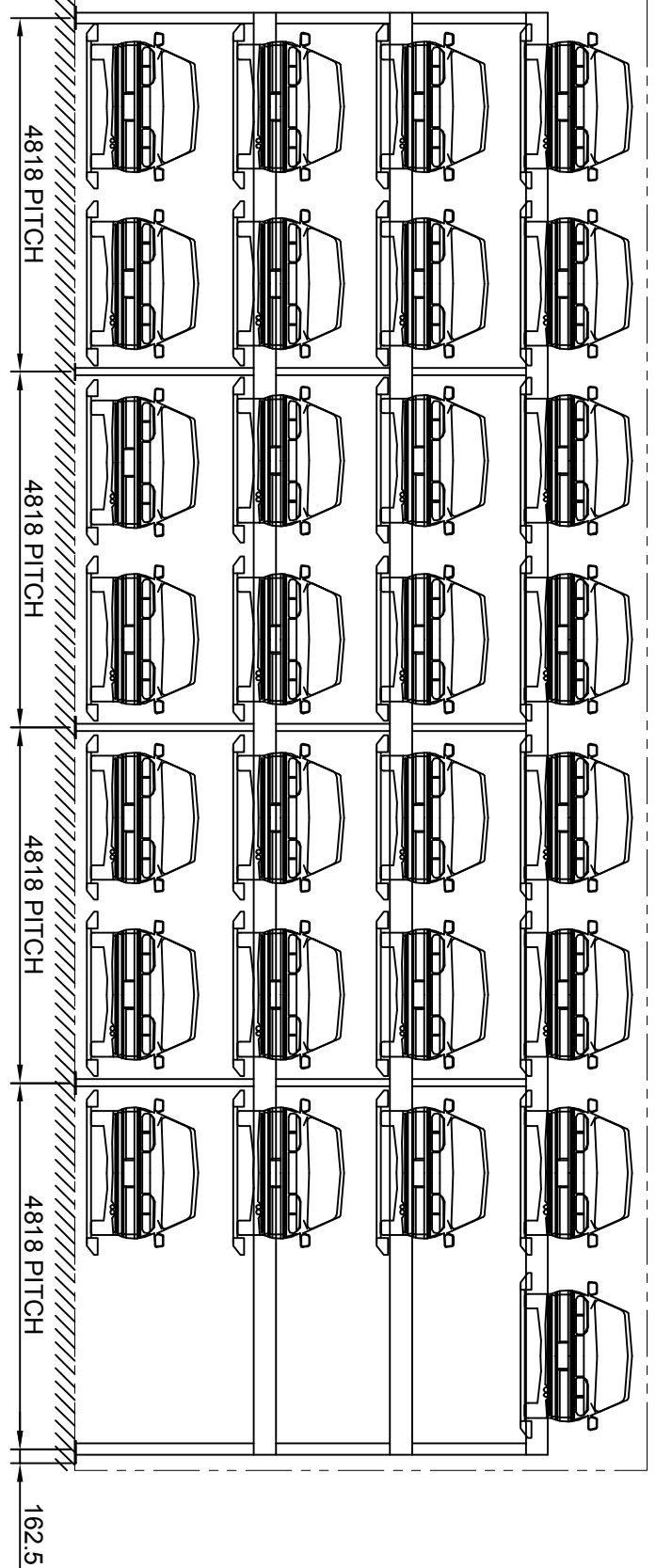
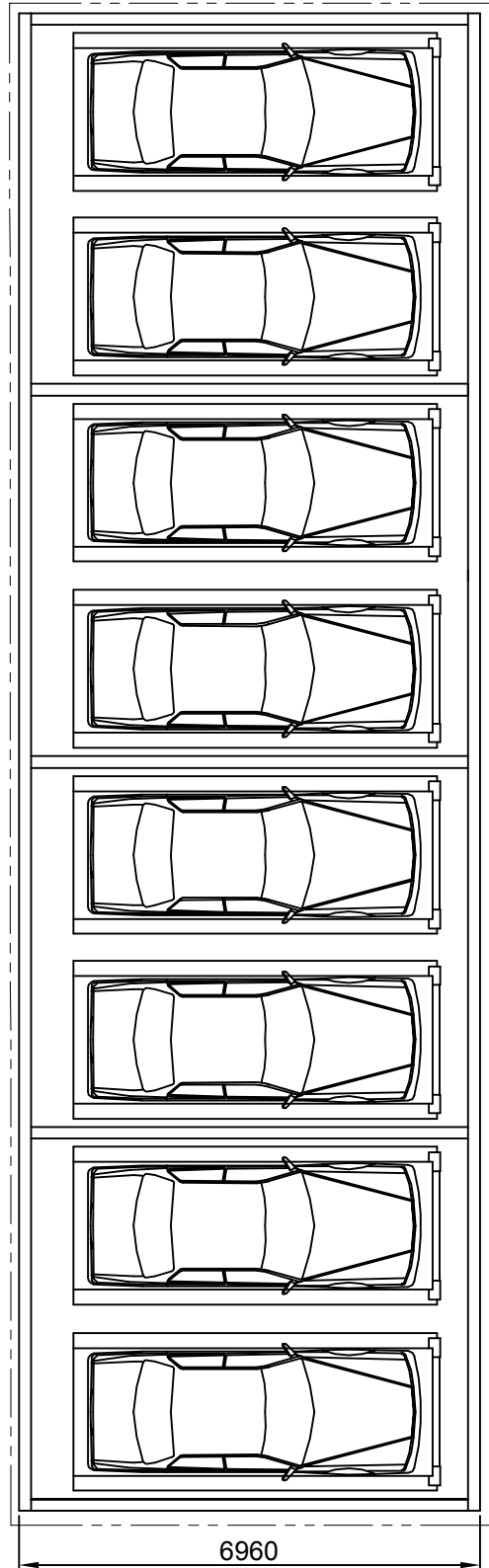


A B C D E F G H


1	SYSTEM WIDTH	PITCH X C + CONSTANT	FORMULA	
	PITCH	COLUMN CENTRE TO CENTRE DISTANCE	C	NUMBER OF COLUMNS
e.g	CONSTANT = 300mm.	PITCH X C + CONSTANT	$4818 \times 4 + 325 = 19597\text{mm.}$	
2	MODULE SPECIFICATION (EPP-4P-29)	FORMULA		
	EPP	EROS PUZZLE PARKING	4P	4 ROWS PUZZLE
	N	NUMBER OF SPOTS		
3	NUMBER OF SPOTS CALCULATION			
	FORMULA	$N = R \times C - 3$	ROW	3
	R	C	COLUMN	CONSTANT
	e.g	$N = (R \times C) - 3$	$N = (4 \times 2(4)) - 3 = 29$	

STANDARD SPECIFICATION	
CAR SIZE	LENGTH 5050 mm WIDTH 1850 mm HEIGHT 1550 mm WEIGHT 1800 Kg
SPEED	LIFTING 4.5 m/min. TRAVERSING 10 m/min.
MOTOR	LIFTING 2.2 kw X 4p TRAVERSING 0.4 kw X 4p
OPERATION	ELECTRO MAGNETIC 10 KEY BUTTON AUTOMETIC
MODULE	EPP - 4P - 29




1 2 3 4 5 6

A B C D E F G H



EROS
AUTOMATED
PARKING
SYSTEMS

EROS PUZZLE TYPE PARKING



TYPE
PUZZLE 4RX9C

1 2 3 4 5 6