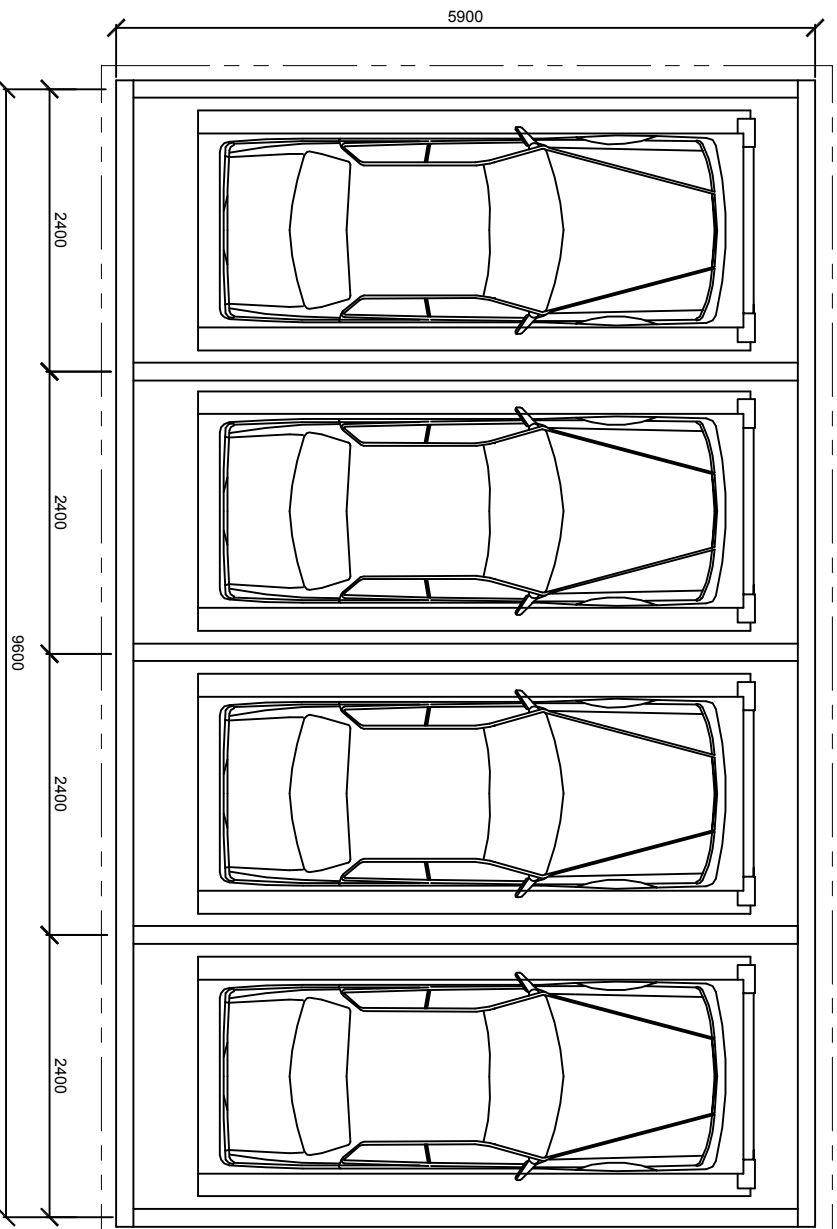


1 SYSTEM WIDTH		E	F
FORMULA	PITCH X C + CONSTANT		
	PITCH	COLUMN CENTRE TO CENTRE DISTANCE	
	C	NUMBER OF COLUMNS	
	CONSTANT	CONSTANT = 300mm.	
e.g	PITCH X C + CONSTANT		
	2400 X 4 + 300 = 9900		

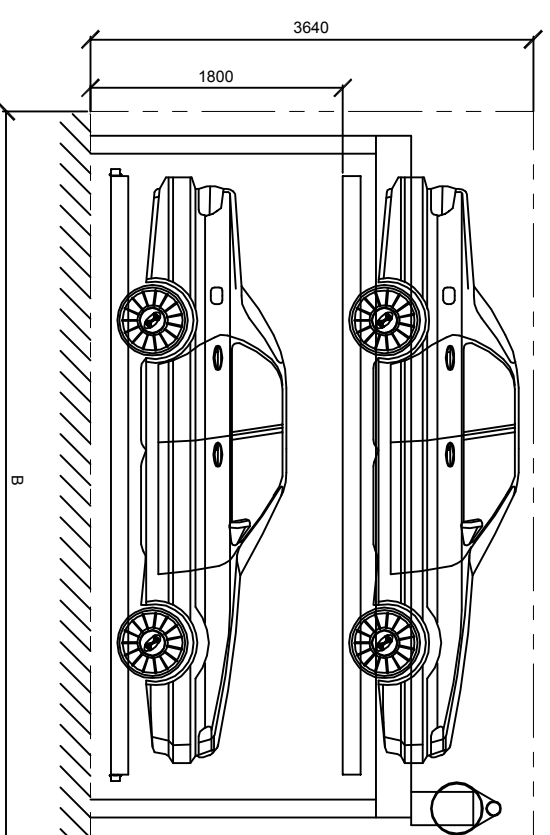
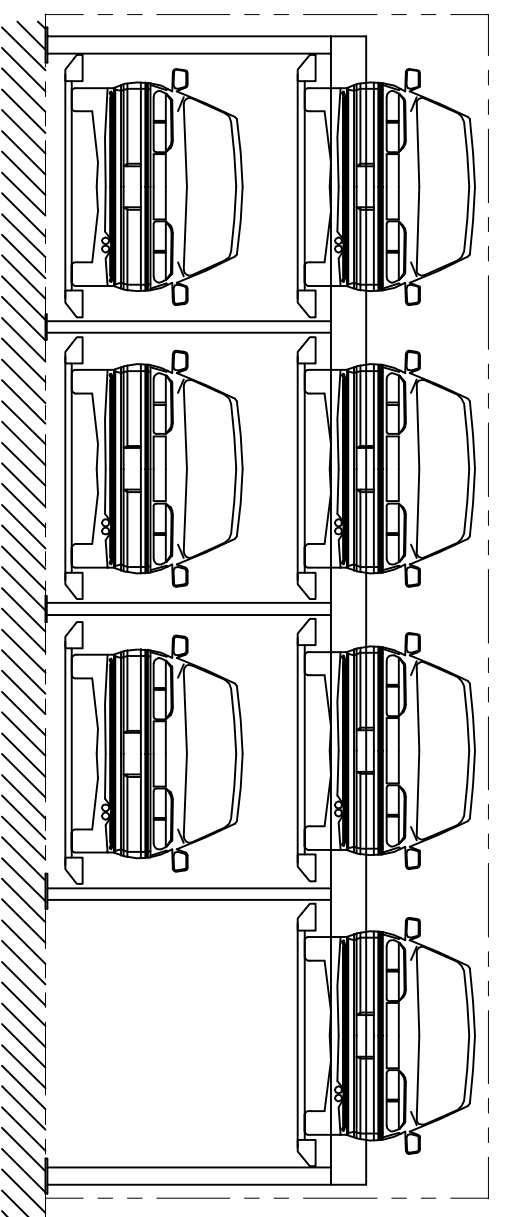
2 MODULE SPECIFICATION (EPP-2P-7)		E	F
FORMULA	EPP - 2P - N		
	EPP	EROS PUZZLE PARKING	
	2P	2 ROWS PUZZLE	
	N	NUMBER OF SPOTS	

3 NUMBER OF SPOTS CALCULATION		E	F
FORMULA	$N = R \times C - 1$		
	R	ROW	
	C	COLUMN	
	1	CONSTANT	
e.g	$N = (R \times C) - 1$		
	$N = (2 \times 4) - 1 = 7$		

G		H
STANDARD SPECIFICATION		
CAR SIZE	LENGTH	5050 mm
	WIDTH	1850 mm
	HEIGHT	1550 mm
WEIGHT		1800 Kg
	LIFTING	3 m/min. 4.5 m/min.
SPEED	TRAVERSING	10 m/min. 10 m/min.
	LIFTING	1.5 kw X4p 2.2 kw X 4p
MOTOR	TRAVERSING	0.4 kw X4p 0.4 kw X 4p
	OPERATION	ELECTRO MAGNETIC PUSH BUTTON AUTOMETIC
MODULE	EPP-2P-(7)	



CAR SIZE	CIVIL AREA REQUIRED
A	B
4500	4500 + 650
4900	4900 + 650
5200	5200 + 650



A	B	C	D	E	F	G	H
<b>EROS</b> AUTOMATED PARKING SYSTEMS						EROS PUZZLE TYPE PARKING	
						TYPE PUZZLE 2RX4C	